

## Inline flow indicators with Clamp connection, Full view and standard version

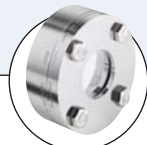


- Guaranteed crevice free
- Fully traceable wetted materials, traceable seal available on request
- Suitable for CIP and SIP
- Glass mounted without stress

Hygienic Processing Components.....



**Type BBS-05**  
Quick connect



**Type BBS-07**  
Block flange



**Type BBS-10**  
Ball check valve



**Type 2103**  
Diaphragm valve



**Type 8221**  
Conductivity sensor



**Type 8650**  
Process Automation

These sterile flow indicators can be installed in any position to observe liquid flow in any direction.

The flow indicator is usually employed to detect either the presence or absence of solutions, or to observe fluids for turbulence, colour or clarity.

They are ideal for high purity applications.

The standard view indicator offers excellent process visualization whilst protecting the glass and the full view version allows a 360° process vision, this means you can observe fluid flow from any position.

### Applications

- Biotechnology
- Pharmaceutical
- Chemical industry
- Dairy
- Food
- Cosmetic

### Technical data

#### Available standard sizes

Full view version

ISO DN08 up to DN150  
SMS DN06 up to DN150  
BS-OD DN1/4" up to DN8"

Standard version

DIN DN04 up to DN150  
ISO DN08 up to DN100  
SMS DN06 up to DN100  
BS-OD DN1/4" up to DN4"  
DIN DN04 up to DN100

#### Material wetted parts

Stainless steel 1.4435 BN2 (316L)  
Special materials e.g. Hastelloy 2.4602,  
Titanium, 1.4539 etc. on request

#### Material dry parts

1.4305 or equivalent

#### Glass

Borosilicate glass

#### Seals

O-Ring, EPDM, FEP (PTFE coated silicone O-Ring)  
special seal material e.g. silicone, pure PTFE etc. on request

#### Surface quality

Wetted surface RA < Ra 0,8µm, electro-polished, finer surface on request

#### Operation temperature

-60 up to +300°C (depending on seal material)

#### Ambient temperature

-20 up to +80°C

#### Media

Gases or liquids

#### Operation pressure

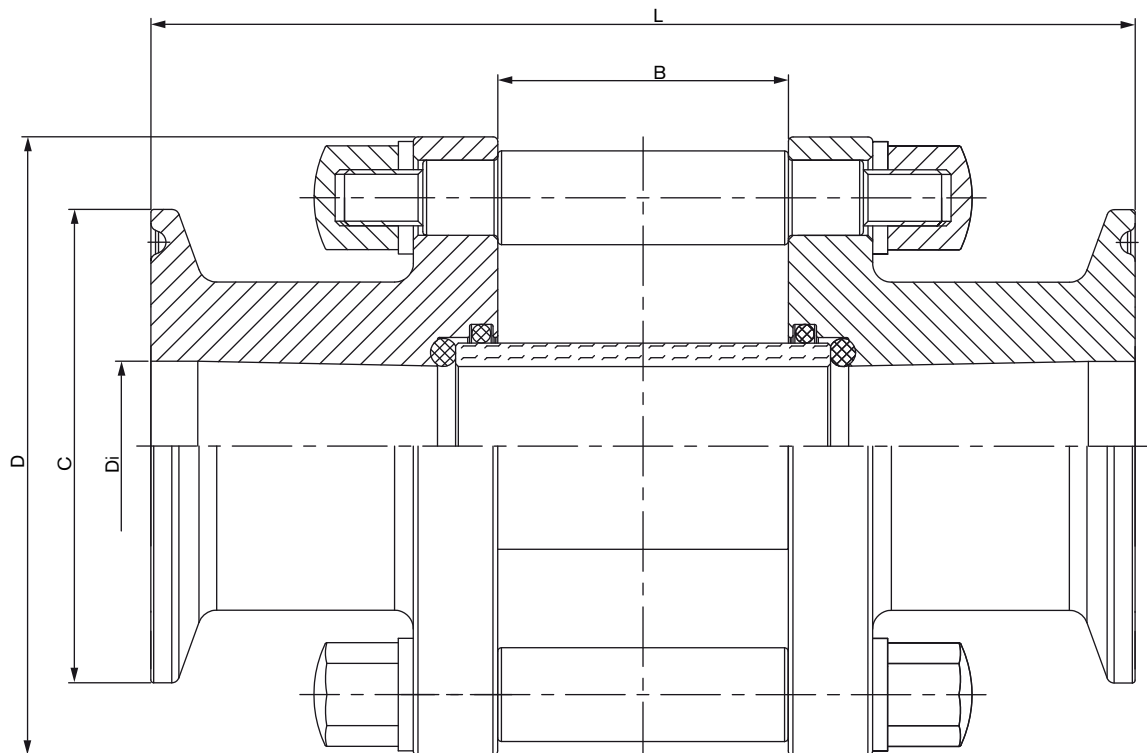
-1 up to +8 bar (higher pressure on request)

#### Certification

Material 3.1 (Glass on request), FDA, USP VI

**Dimensions [mm]**

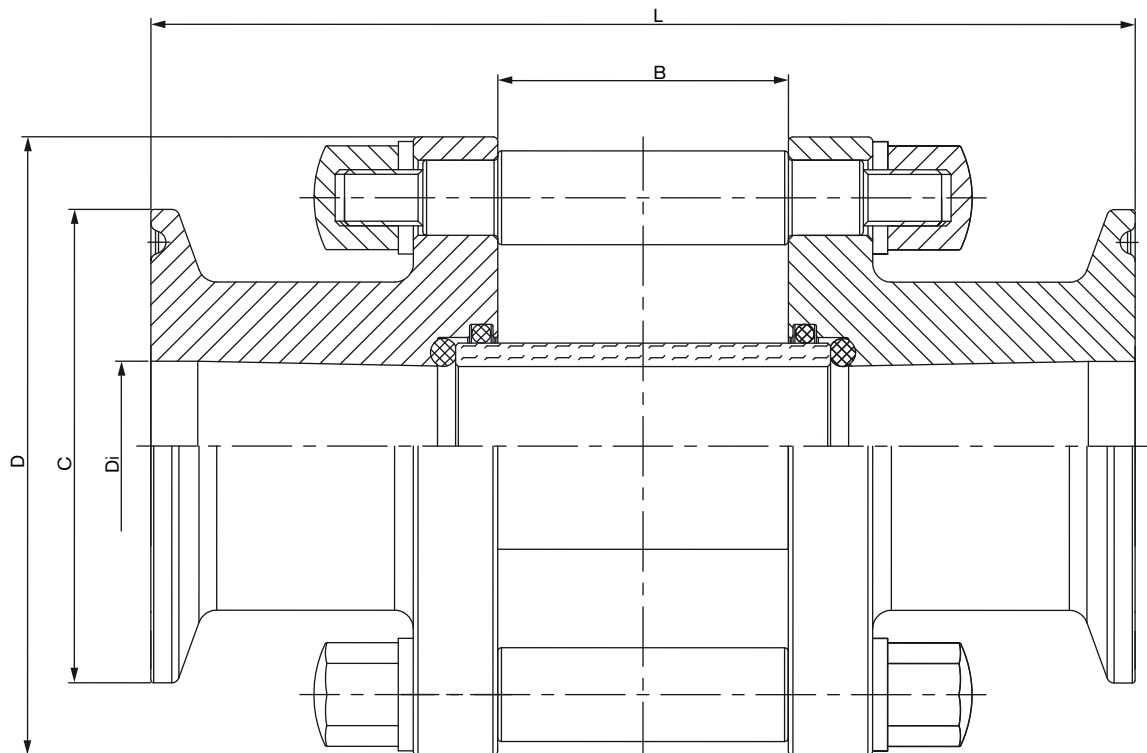
ISO inline flow indicator with clamp connection / full view version



Size	D [mm]	C [mm]	Di [mm]	B [mm]	L [mm]	Item no. EPDM	Item no. FEP
DN08	59.00	25.00	10.30	19.50	91.50	BBS-3F.SA.B08.Z00.35.0 (741 395)	BBS-3F.SA.B08.Z00.35.3 (741 397)
DN10	59.00	25.00	14.00	26.40	91.00	BBS-3F.SA.B10.Z00.35.0 (741 403)	BBS-3F.SA.B10.Z00.35.3 (741 405)
DN15	66.00	50.50	18.10	31.00	111.00	BBS-3F-SA.B15.Z00.35.0 (741 429)	BBS-3F-SA.B15.Z00.35.3 (741 431)
DN20	73.00	50.50	23.70	32.00	111.00	BBS-3F-SA.B20.Z00.35.0 (741 436)	BBS-3F-SA.B20.Z00.35.3 (741 438)
DN25	73.00	50.50	29.70	32.00	111.00	BBS-3F-SA.B25.Z00.35.0 (741 448)	BBS-3F-SA.B25.Z00.35.3 (741 450)
DN32	90.00	64.00	38.40	41.00	121.00	BBS-3F-SA.B32.Z00.35.0 (741 458)	BBS-3F-SA.B32.Z00.35.3 (741 460)
DN40	100.00	64.00	44.30	60.00	146.00	BBS-3F-SA.B40.Z00.35.0 (741 466)	BBS-3F-SA.B40.Z00.35.3 (741 468)
DN50	124.10	77.50	56.30	80.00	171.00	BBS-3F-SA.B50.Z00.35.0 (741 474)	BBS-3F-SA.B50.Z00.35.3 (741 476)
DN65	135.00	91.00	71.50	94.00	181.00	BBS-3F-SA.B65.Z00.35.0 (741 481)	BBS-3F-SA.B65.Z00.35.3 (741 483)
DN80	145.00	106.00	84.30	110.00	196.00	BBS-3F-SA.B80.Z00.35.0 (741 488)	BBS-3F-SA.B80.Z00.35.3 (741 490)
DN100	170.00	130.00	109.10	118.00	216.00	BBS-3F-SA.B100.Z00.35.0 (741 417)	BBS-3F-SA.B100.Z00.35.3 (741 419)
DN150	on request	183.00	163.10	on request		BBS-3F-SA.B150.Z00.35.0 (on request)	BBS-3F-SA.B150.Z00.35.3 (on request)

**Dimensions [mm]**

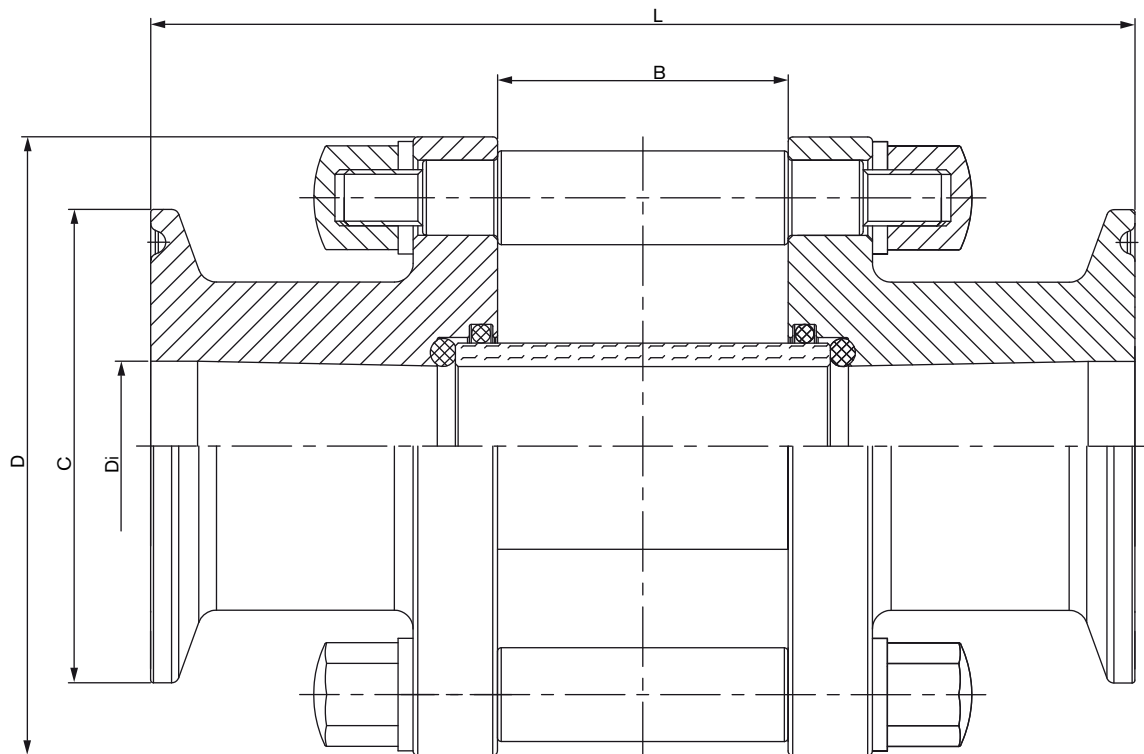
SMS inline flow indicator with clamp connection / full view version



Size	D [mm]	C [mm]	Di [mm]	B [mm]	L [mm]	Item no. EPDM	Item no. FEP
DN06	59.00	25.00	6.00	19.50	91.50	BBS-3F-SA.E06.F00.35.0 (on request)	BBS-3F-SA.E06.F00.35.3 (on request)
DN08	59.00	25.00	8.00	19.50	91.50	BBS-3F-SA.E08.F00.35.0 (741 640)	BBS-3F-SA.E08.F00.35.3 (741 642)
DN10	65.00	25.00	10.00	26.40	105.00	BBS-3F-SA.E10.F00.35.0 (on request)	BBS-3F-SA.E10.F00.35.3 (on request)
DN15	65.00	25.00	16.00	31.00	105.00	BBS-3F-SA.E15.F00.35.0 (on request)	BBS-3F-SA.E15.F00.35.3 (741 617)
DN20	70.00	50.50	20.00	32.00	105.00	BBS-3F-SA.E20.F00.35.0 (on request)	BBS-3F-SA.E20.F00.35.3 (on request)
DN25	70.00	50.50	22.60	32.00	111.00	BBS-3F-SA.E25.F00.35.0 (on request)	BBS-3F-SA.E25.F00.35.3 (on request)
DN32	80.00	64.00	29.60	41.00	111.00	BBS-3F-SA.E32.F00.35.0 (on request)	BBS-3F-SA.E32.F00.35.3 (on request)
DN40	82.00	64.00	35.60	60.00	121.00	BBS-3F-SA.E40.F00.35.0 (on request)	BBS-3F-SA.E40.F00.35.3 (on request)
DN50	100.00	77.50	48.60	80.00	140.00	BBS-3F-SA.E50.F00.35.0 (on request)	BBS-3F-SA.E50.F00.35.3 (on request)
DN65	125.00	91.00	60.30	94.00	175.00	BBS-3F-SA.E65.F00.35.0 (on request)	BBS-3F-SA.E65.F00.35.3 (on request)
DN80	135.00	106.00	72.90	110.00	196.00	BBS-3F-SA.E80.F00.35.0 (on request)	BBS-3F-SA.E80.F00.35.3 (on request)
DN100	on request					BBS-3F-SA.E100.F00.35.0 (on request)	BBS-3F-SA.E100.F00.35.3 (on request)

**Dimensions [mm]**

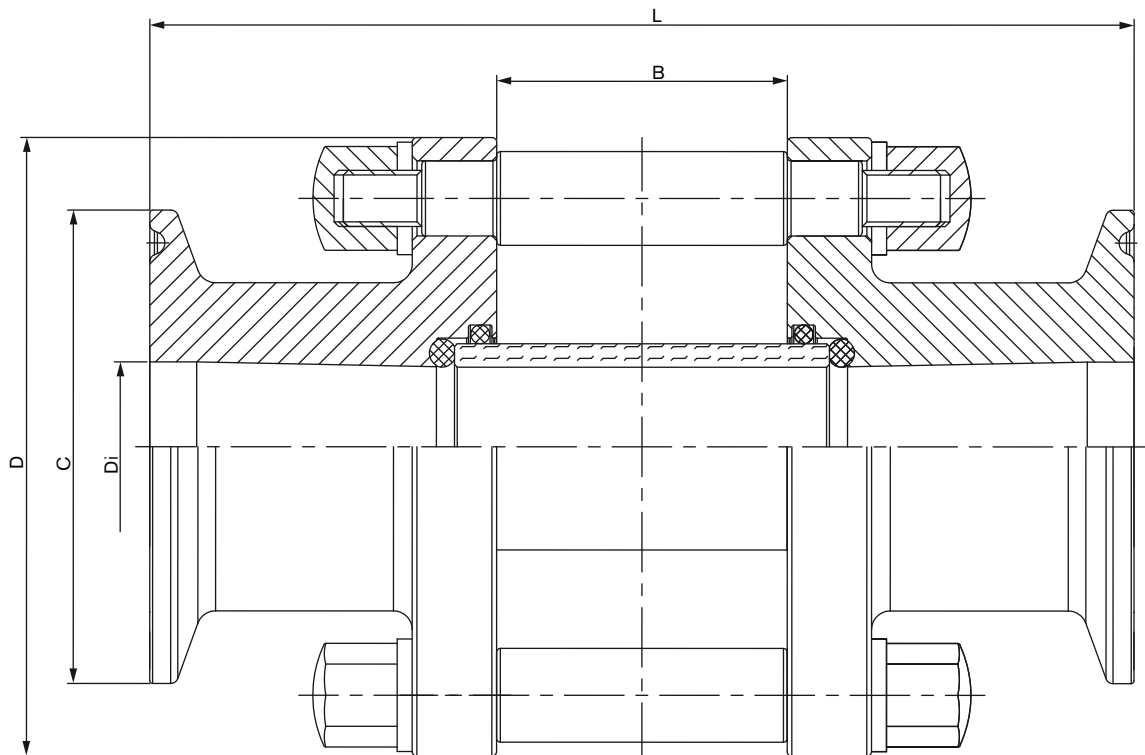
BS-OD Inline flow indicator with clamp connection / full view version



Size	D [mm]	C [mm]	Di [mm]	B [mm]	L [mm]	Item no. EPDM	Item no. FEP
DN1/4"	50.00	25.00	4.57	19.50	90.00	BBS-3F-SA.C02.M00.35.0 (743 027)	BBS-3F-SA.C02.M00.35.3 (743 028)
DN3/8"	50.00	25.00	7.75	19.50	90.00	BBS-3F-SA.C03.M00.35.0 (741 502)	BBS-3F-SA.C03.M00.35.3 (741 503)
DN1/2"	59.00	25.00	9.40	19.50	91.50	BBS-3F-SA.C05.M00.35.0 (741 511)	BBS-3F-SA.C05.M00.35.3 (741 513)
DN3/4"	65.00	25.00	15.75	33.00	105.00	BBS-3F-SA.C07.M00.35.0 (741 520)	BBS-3F-SA.C07.M00.35.3 (741 522)
DN1"	73.00	50.50	22.10	36.00	105.00	BBS-3F-SA.C10.M00.35.0 (741 537)	BBS-3F-SA.C10.M00.35.3 (741 541)
DN1 1/2"	82.00	50.50	34.80	37.00	105.00	BBS-3F-SA.C15.M00.35.0 (741 552)	BBS-3F-SA.C15.M00.35.3 (741 554)
DN2"	100.00	64.00	47.50	54.00	152.40	BBS-3F-SA.C20.M00.35.0 (741 565)	BBS-3F-SA.C20.M00.35.3 (741 567)
DN2 1/2"	124.00	77.50	60.20	67.00	151.00	BBS-3F-SA.C25.M00.35.0 (741 574)	BBS-3F-SA.C25.M00.35.3 (741 576)
DN3"	135.00	91.00	72.90	97.00	181.00	BBS-3F-SA.C30.M00.35.0 (741 586)	BBS-3F-SA.C30.M00.35.3 (741 588)
DN4"	155.00	119.00	97.38	119.00	206.00	BBS-3F-SA.C40.M00.35.0 (741 596)	BBS-3F-SA.C40.M00.35.3 (741 598)
DN6"	215.00	167.00	146.86	139.00	254.00	BBS-3F-SA.C60.M00.35.0 (741 600)	BBS-3F-SA.C60.M00.35.3 (on request)
DN8"	265.00	217.50	198.00	155.00	302.00	BBS-3F-SA.C80.M00.35.0 (741 606)	BBS-3F-SA.C80.M00.35.3 (on request)

**Dimensions [mm]**

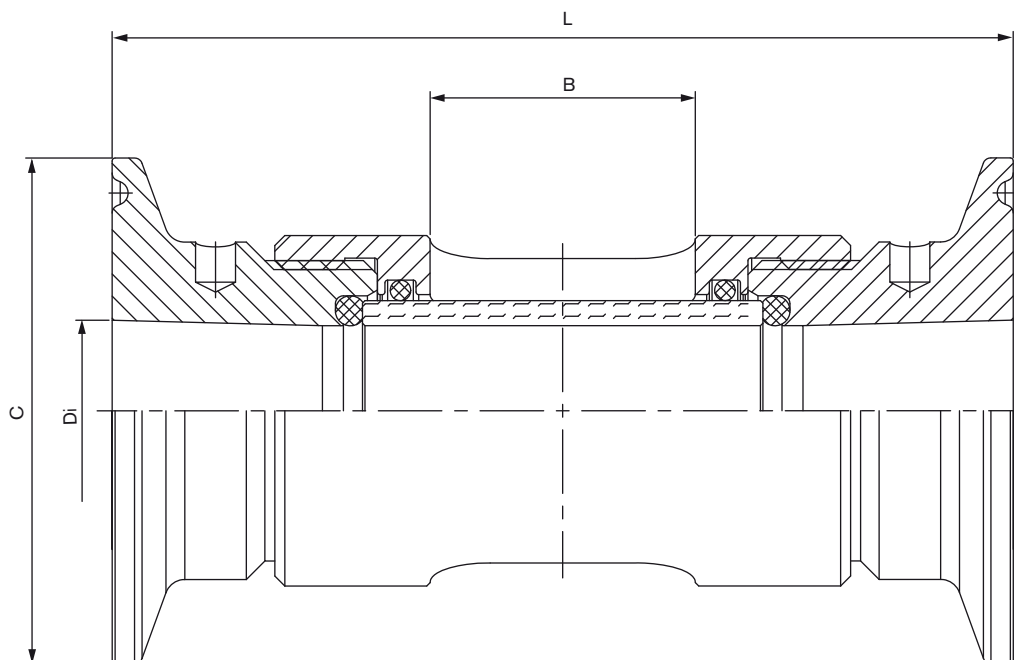
DIN inline flow indicator with clamp connection / full view version



Size	D [mm]	C [mm]	Di [mm]	B [mm]	L [mm]	Item no. EPDM	Item no. FEP
DN04	on request	25.00	4.00	on request		BBS-3F-SA.D04.F00.35.0 (on request)	BBS-3F-SA.D04.F00.35.3 (on request)
DN06	59.00	25.00	6.00	19.50	91.00	BBS-3F-SA.D06.F00.35.0 (on request)	BBS-3F-SA.D06.F00.35.3 (on request)
DN08	59.00	25.00	8.00	19.50	91.00	BBS-3F-SA.D08.F00.35.0 (on request)	BBS-3F-SA.D08.F00.35.3 (on request)
DN10	59.00	34.00	10.00	26.40	91.00	BBS-3F-SA.D10.F00.35.0 (on request)	BBS-3F-SA.D10.F00.35.3 (on request)
DN15	65.00	34.00	16.00	31.00	105.00	BBS-3F-SA.D15.F00.35.0 (on request)	BBS-3F-SA.D15.F00.35.3 (741617)
DN20	70.00	34.00	20.00	32.00	105.00	BBS-3F-SA.D20.F00.35.0 (on request)	BBS-3F-SA.D20.F00.35.3 (on request)
DN25	80.00	50.50	26.00	32.00	111.00	BBS-3F-SA.D25.F00.35.0 (on request)	BBS-3F-SA.D25.F00.35.3 (on request)
DN32	82.00	50.50	32.00	41.00	105.00	BBS-3F-SA.D32.F00.35.0 (on request)	BBS-3F-SA.D32.F00.35.3 (on request)
DN40	90.00	50.50	38.00	60.00	121.00	BBS-3F-SA.D40.F00.35.0 (on request)	BBS-3F-SA.D40.F00.35.3 (on request)
DN50	100.00	64.00	50.00	80.00	140.00	BBS-3F-SA.D50.F00.35.0 (on request)	BBS-3F-SA.D50.F00.35.3 (on request)
DN65	130.00	91.00	66.00	94.00	175.00	BBS-3F-SA.D65.F00.35.0 (on request)	BBS-3F-SA.D65.F00.35.3 (on request)
DN80	145.00	106.00	81.00	110.00	196.00	BBS-3F-SA.D80.F00.35.0 (741638)	BBS-3F-SA.D80.F00.35.3 (on request)
DN100	160.00	119.00	100.00	118.00	205.00	BBS-3F-SA.D100.F00.35.0 (on request)	BBS-3F-SA.D100.F00.35.3 (on request)
DN150	on request	174.00	150.00	on request		BBS-3F-SA.D150.F00.35.0 (on request)	BBS-3F-SA.D150.F00.35.3 (on request)

**Dimensions [mm]**

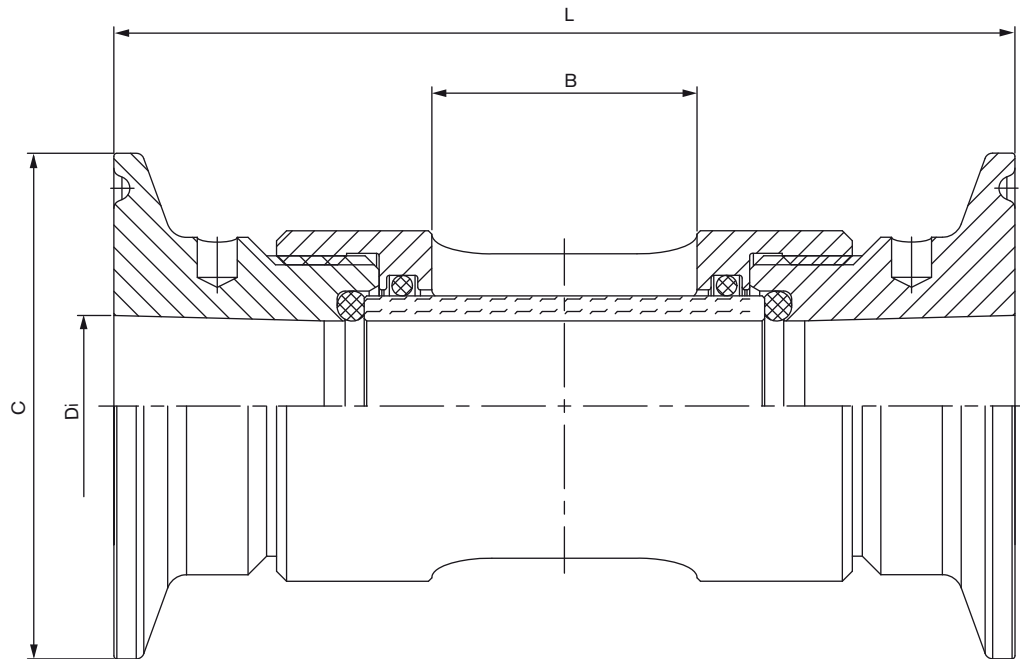
ISO inline flow indicator with clamp connection / standard



Size	C [mm]	Di [mm]	B [mm]	L [mm]	Item no. EPDM	Item no. FEP
DN08	25.00	10.30	20.00	76.00	BBS-3F-SA.B08.B00.35.0 (741 395)	BBS-3F-SA.B08.B00.35.3 (741 397)
DN10	25.00	14.00	22.60	79.30	BBS-3F-SA.B10.B00.35.0 (741 403)	BBS-3F-SA.B10.B00.35.3 (741 405)
DN15	50.50	18.10	26.50	90.00	BBS-3F-SA.B15.B00.35.0 (741 425)	BBS-3F-SA.B15.B00.35.3 (741 427)
DN20	50.50	23.70	24.00	89.00	BBS-3F-SA.B20.B00.35.0 (741 433)	BBS-3F-SA.B20.B00.35.3 (741 434)
DN25	50.50	29.70	24.00	90.00	BBS-3F-SA.B25.B00.35.0 (741 444)	BBS-3F-SA.B25.B00.35.3 (741 446)
DN32	64.00	38.40	35.80	115.00	BBS-3F-SA.B32.B00.35.0 (741 454)	BBS-3F-SA.B32.B00.35.3 (741 456)
DN40	64.00	44.30	48.00	120.00	BBS-3F-SA.B40.B00.35.0 (741 462)	BBS-3F-SA.B40.B00.35.3 (741 464)
DN50	77.50	56.30	79.40	187.00	BBS-3F-SA.B50.B00.35.0 (741 470)	BBS-3F-SA.B50.B00.35.3 (741 472)
DN65	91.00	72.10	on request		BBS-3F-SA.B65.B00.35.0 (741 478)	BBS-3F-SA.B65.B00.35.3 (741 479)
DN80	106.00	84.30	on request		BBS-3F-SA.B80.B00.35.0 (741 485)	BBS-3F-SA.B80.B00.35.3 (741 486)
DN100	130.00	109.10	on request		BBS-3F-SA.B100.B00.35.0 (741 413)	BBS-3F-SA.B100.B00.35.3 (741 415)

**Dimensions [mm]**

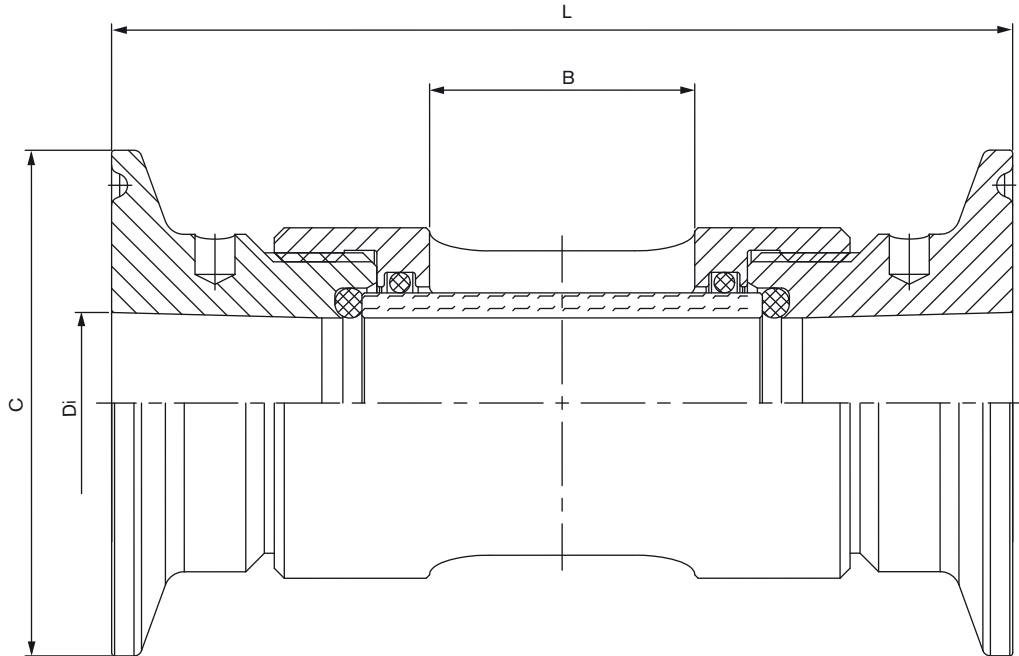
SMS inline flow indicator with clamp connection / standard



Size	C [mm]	Di [mm]	B [mm]	L [mm]	Item no. EPDM	Item no. FEP
DN06	25.00	6.00	on request		BBS-3F-SA.E06.E00.35.0 (on request)	BBS-3F-SA.E06.E00.35.3 (on request)
DN08	25.00	8.00	on request		BBS-3F-SA.E08.E00.35.0 (on request)	BBS-3F-SA.E08.E00.35.3 (on request)
DN10	25.00	10.00	on request		BBS-3F-SA.E10.E00.35.0 (on request)	BBS-3F-SA.E10.E00.35.3 (on request)
DN15	50.50	16.00	on request		BBS-3F-SA.E15.E00.35.0 (on request)	BBS-3F-SA.E15.E00.35.3 (on request)
DN20	50.50	20.00	on request		BBS-3F-SA.E20.E00.35.0 (on request)	BBS-3F-SA.E20.E00.35.3 (on request)
DN25	50.50	22.60	on request		BBS-3F-SA.E25.E00.35.0 (741640)	BBS-3F-SA.E25.E00.35.3 (741642)
DN32	50.50	29.60	on request		BBS-3F-SA.E32.E00.35.0 (on request)	BBS-3F-SA.E32.E00.35.3 (on request)
DN40	50.50	35.60	on request		BBS-3F-SA.E40.E00.35.0 (on request)	BBS-3F-SA.E40.E00.35.3 (on request)
DN50	64.00	48.60	on request		BBS-3F-SA.E50.E00.35.0 (on request)	BBS-3F-SA.E50.E00.35.3 (on request)
DN65	77.50	60.30	on request		BBS-3F-SA.E65.E00.35.0 (on request)	BBS-3F-SA.E65.E00.35.3 (on request)
DN80	91.00	72.90	on request		BBS-3F-SA.E80.E00.35.0 (on request)	BBS-3F-SA.E80.E00.35.3 (on request)
DN100		on request			BBS-3F-SA.E100.E00.35.0 (on request)	BBS-3F-SA.E100.E00.35.3 (on request)

**Dimensions [mm]**

BS-OD inline flow indicator with clamp connection / standard

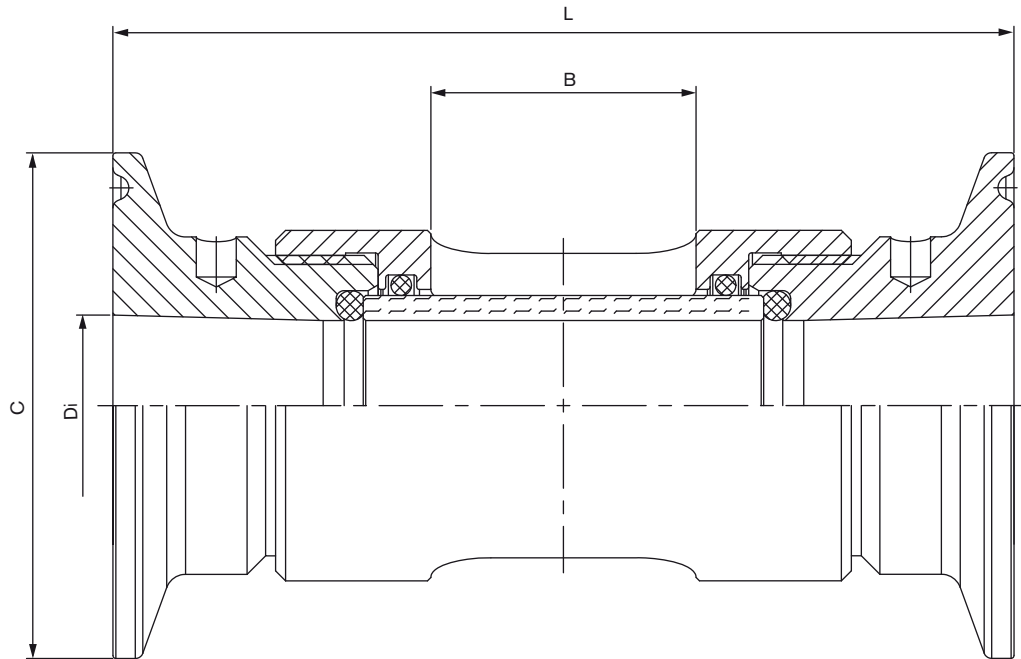


Size	C [mm]	Di [mm]	B [mm]	L [mm]	Item no. EPDM	Item no. FEP
DN1/4"	25.00	4.57	20.20	65.40	BBS-3F-SA.C02.C00.35.0 (741 492)	BBS-3F-SA.C02.C00.35.3 (741 496)
DN3/8"	25.00	7.75	20.00	78.00	BBS-3F-SA.C03.C00.35.0 (741 498)	BBS-3F-SA.C03.C00.35.3 (741 500)
DN1/2"	25.00	9.40	20.00	76.00	BBS-3F-SA.C05.C00.35.0 (741 505)	BBS-3F-SA.C05.C00.35.3 (741 509)
DN3/4"	25.00	15.75	30.00	87.00	BBS-3F-SA.C07.C00.35.0 (741 516)	BBS-3F-SA.C07.C00.35.3 (741 518)
DN1"	50.50	22.10	30.00	91.00	BBS-3F-SA.C10.C00.35.0 (741 530)	BBS-3F-SA.C10.C00.35.3 (741 533)
DN1 1/2"	50.50	34.80	32.00	105.00	BBS-3F-SA.C15.C00.35.0 (741 546)	BBS-3F-SA.C15.C00.35.3 (741 550)
DN2"	64.00	47.50	48.00	120.00	BBS-3F-SA.C20.C00.35.0 (741 560)	BBS-3F-SA.C20.C00.35.3 (741 563)
DN2 1/2"	77.50	60.20	55.00	150.60	BBS-3F-SA.C25.C00.35.0 (741 571)	BBS-3F-SA.C25.C00.35.3 (741 573)
DN3"	91.00	72.90	90.00	175.00	BBS-3F-SA.C30.C00.35.0 (741 580)	BBS-3F-SA.C30.C00.35.3 (741 584)
DN4"	119.00	97.38	110.00	200.00	BBS-3F-SA.C40.C00.35.0 (741 592)	BBS-3F-SA.C40.C00.35.3 (741 594)



**Dimensions [mm]**

DIN inline flow indicator with clamp connection / standard



Size	C [mm]	Di [mm]	B [mm]	L [mm]	Item no. EPDM	Item no. FEP
DN04	25.00	4.00	on request		BBS-3F-SA.D04.D00.35.0 (on request)	BBS-3F-SA.D04.D00.35.3 (on request)
DN06	25.00	6.00	20.00	76.00	BBS-3F-SA.D06.D00.35.0 (on request)	BBS-3F-SA.D06.D00.35.3 (on request)
DN08	25.00	8.00	22.60	79.30	BBS-3F-SA.D08.D00.35.0 (on request)	BBS-3F-SA.D08.D00.35.3 (on request)
DN10	34.00	10.00	26.50	86.00	BBS-3F-SA.D10.D00.35.0 (on request)	BBS-3F-SA.D10.D00.35.3 (on request)
DN15	34.00	16.00	30.00	92.00	BBS-3F-SA.D15.D00.35.0 (741 612)	BBS-3F-SA.D15.D00.35.3 (741 615)
DN20	34.00	20.00	30.00	91.00	BBS-3F-SA.D20.D00.35.0 (741 619)	BBS-3F-SA.D20.D00.35.3 (on request)
DN25	50.50	26.00	32.00	98.00	BBS-3F-SA.D25.D00.35.0 (741 623)	BBS-3F-SA.D25.D00.35.3 (734 168)
DN32	50.50	32.00	32.00	90.00	BBS-3F-SA.D32.D00.35.0 (741 625)	BBS-3F-SA.D32.D00.35.3 (741 627)
DN40	50.50	38.00	32.00	108.00	BBS-3F-SA.D40.D00.35.0 (741 629)	BBS-3F-SA.D40.D00.35.3 (on request)
DN50	64.00	50.00	48.00	120.00	BBS-3F-SA.D50.D00.35.0 (741 631)	BBS-3F-SA.D50.D00.35.3 (on request)
DN65	91.00	66.00	55.00	154.80	BBS-3F-SA.D65.D00.35.0 (741 634)	BBS-3F-SA.D65.D00.35.3 (on request)
DN80	106.00	81.00	55.00	177.80	BBS-3F-SA.D80.D00.35.0 (741 636)	BBS-3F-SA.D80.D00.35.3 (on request)
DN100	on request				BBS-3F-SA.D100.D00.35.0 (on request)	BBS-3F-SA.D100.D00.35.3 (on request)

To find your nearest Bürkert facility, click on the orange box → [www.burkert.com](http://www.burkert.com)

In case of special application conditions,  
please consult for advice.

Subject to alteration.  
© Christian Bürkert GmbH & Co. KG

1011/0\_EU-en\_00895163