



## Pressure transmitter for continuous Control, 0-40 bar

- High accuracy ( $\leq 0.15\%$ )
- With optional display
- Scaleable measuring ranges via Turn-Down of up to 1:20
- Output signal 4 ... 20 mA, 2-wire
- Food / Pharma version (according to EHEDG)

Type 8326 can be combined with...



**Type 8611**

Universal PI controller eControl



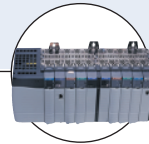
**Type 2301 (8692)**

Globe control valve with Control unit



**Type 2100 (8692)**

Angle seat valve with Control unit



**PLC**

This pressure transmitter is designed to cover the applications where high accuracy measurement is required.

Typical applications are in the food and pharma industry and for level measurement.

The transmitter can easily be programmed with the 4 keypad.

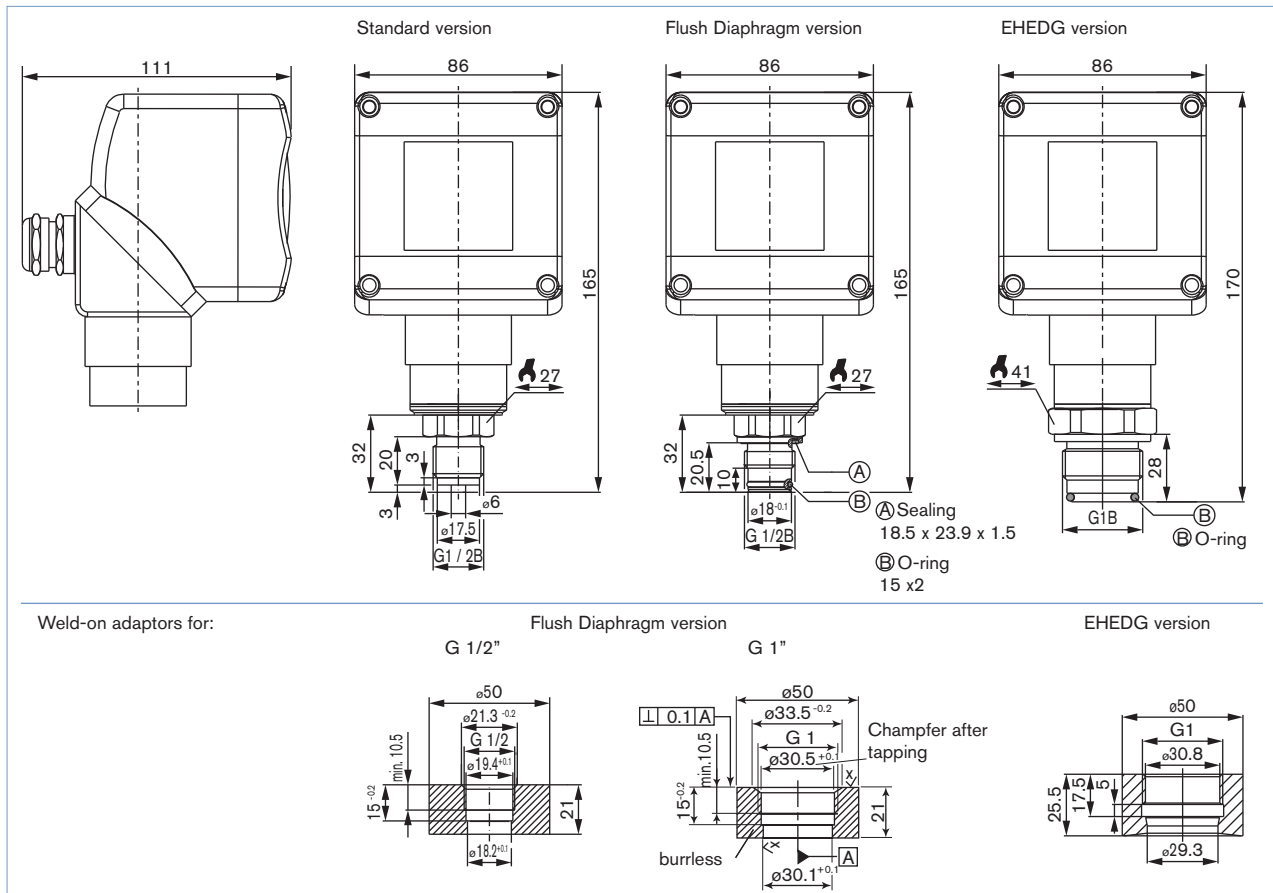
### General data

|  |  |
|--|--|
| <b>Compatibility (pressure connection)</b> | Any pipe with sensor connection<br>Standard version<br>G 1/2", NPT 1/2"<br>Flush Diaphragm version<br>G 1/2"<br>EHEDG version<br>G 1"  |
| <b>Materials</b>                           | Housing<br>PBT (fiberglass-enforced plastic)<br>Wetted parts<br>Standard version<br>Stainless steel 1.4571<br>Flush Diaphragm version<br>Stainless steel 1.4571, FKM seal<br>EHEDG version<br>Stainless steel 1.4435, EPDM seal  |
| <b>Electrical connections</b>              | Internal terminal through cable gland M20 x 1.5  |
| <b>Measuring range</b>                     | Standard version<br>0 up to 0.4, 1.6, 16.0 or 40.0 bar (0 up to 5.8, 23.22, 232.2 or 580.4 PSI)<br>Flush Diaphragm version<br>0 up to 0.4, 6.0, 16.0 or 40.0 bar (0 up to 5.8, 87.06, 232.2 or 580.4 PSI)<br>EHEDG version<br>0 up to 0.4, 1.6 or 16.0 bar (0 up to 5.8, 23.22 or 232.2 PSI) |
| <b>Sensor element</b>                      | piezo ( $\leq 16$ bar) ( $\leq 232.2$ PSI) / thin film (40 bar) (580.4 PSI)  |
| <b>Medium temperature</b>                  | -30 up to 105°C (86 up to 221°F)   |
| <b>Accuracy**</b>                          | $\leq 0.15\%$ of span  |
| <b>Behaviour with Turn-down</b>            | Turn-down < 1:5<br>no change accuracy<br>Turn-down 1:5 to 1:20<br>the accuracy must be multiplied by the factor: turn-down/5   |
| <b>Repeatability</b>                       | $\leq 0.05\%$ of full scale  |
| <b>Weight</b>                              | approx. 0.7 kg   |
| <b>Environment</b>                         |  |
| <b>Ambient temperature**</b>               | -40 up to 85°C (-40 up to 185°F) (without display);<br>-20 up to 70°C (-4 up to 158°F) (with display)  |
| <b>Standards, directives and approvals</b> |  |
| <b>Protection class</b>                    | IP65   |
| <b>Standards and directives</b>            | EMC<br>EN50081-1; 50081-2; 50082-2<br>Vibration / Shock<br>IEC770, 5g / IEC770, 100g   |

\*\* included calibration error with zero and span, hysteresis and linearity, calibrated in vertical mounting position with the pressure connection facing down.

| Electrical data            |                                       |
|----------------------------|---------------------------------------|
| Power supply [Vs]          | 10 -36 V DC                           |
| Reversed polarity of DC    | Protected                             |
| Overvoltage protection     | Yes                                   |
| Short circuit protection   | Yes                                   |
| Output                     | Standard 4-20 mA signal, 2 wires      |
| Load in $\Omega$           | $\leq (V_s [V] - 10 [V]) / 0.023 [A]$ |
| Adjustability: Zero / span | 0 up to 99% / Turn-down of 1:20       |

## Dimensions [mm]



## Ordering chart for transmitter Type 8326

| Pressure range [bar]    | Pressure max. [bar] | Bursting pressure [bar] | Power supply | Seal material | Item no.      |                 |                 |                 |
|-------------------------|---------------------|-------------------------|--------------|---------------|---------------|-----------------|-----------------|-----------------|
|                         |                     |                         |              |               | with display  |                 | without display |                 |
| <b>Standard version</b> |                     |                         |              |               | <b>G 1/2"</b> | <b>NPT 1/2"</b> | <b>G 1/2"</b>   | <b>NPT 1/2"</b> |
| 0 - 0.4                 | 2                   | 2                       | 12 - 36 V DC | -             | 443 281       | 443 285         | 443 320         | 443 324         |
| 0 - 1.6                 | 10                  | 10                      | 12 - 36 V DC | -             | 443 282       | 443 286         | 443 321         | 443 325         |
| 0 - 16.0                | 80                  | 80                      | 12 - 36 V DC | -             | 443 283       | 443 287         | 443 322         | 443 326         |
| 0 - 40.0                | 80                  | 100                     | 12 - 36 V DC | -             | 443 284       | 443 288         | 443 323         | 443 327         |

## Ordering chart for transmitter Type 8326 (continued)

| Pressure range [bar]           | Pressure max. [bar] | Bursting pressure [bar] | Power supply | Seal material | Item no.      |                 |               |                 |
|--------------------------------|---------------------|-------------------------|--------------|---------------|---------------|-----------------|---------------|-----------------|
|                                |                     |                         |              |               | with display  | without display | with display  | without display |
| <b>Flush diaphragm version</b> |                     |                         |              |               | <b>G 1/2"</b> | <b>NPT 1/2"</b> | <b>G 1/2"</b> | <b>NPT 1/2"</b> |
| 0 - 6.0                        | 35                  | 35                      | 12 - 36 V DC | FKM           | 443 289       | -               | 443 328       | -               |
| 0 - 16.0                       | 80                  | 80                      | 12 - 36 V DC | FKM           | 443 290       | -               | 443 329       | -               |
| 0 - 40.0                       | 80                  | 400                     | 12 - 36 V DC | FKM           | 443 291       | -               | 443 330       | -               |
| <b>Flush diaphragm version</b> |                     |                         |              |               | <b>G 1"</b>   | <b>NPT 1"</b>   | <b>G 1"</b>   | <b>NPT 1"</b>   |
| 0 - 0.4                        | 2                   | 2                       | 12 - 36 V DC | FKM           | 448 315       | -               | -             | -               |
| <b>EHDG version</b>            |                     |                         |              |               | <b>G 1"</b>   | <b>NPT 1"</b>   | <b>G 1"</b>   | <b>NPT 1"</b>   |
| 0 - 0.4                        | 2                   | 2                       | 12 - 36 V DC | EPDM          | 443 292       | -               | 443 331       | -               |
| 0 - 1.6                        | 10                  | 10                      | 12 - 36 V DC | EPDM          | 443 293       | -               | 443 332       | -               |
| 0 - 16.0                       | 80                  | 80                      | 12 - 36 V DC | EPDM          | 443 294       | -               | 443 333       | -               |

 Further versions on request


Pressure

## Ordering chart for accessories (to be ordered separately)

| Description  | Item no. |
|--|----------|
| Weld-on socket for flush diaphragm standard version G 1/2" | 443 295  |
| Weld-on socket for flush diaphragm standard version G 1"   | 444 137  |
| Weld-on socket for EHDG version                            | 443 296  |

To find your nearest Bürkert facility, click on the orange box →

[www.burkert.com](http://www.burkert.com)

In case of special application conditions,  
please consult for advice.

Subject to alteration.  
© Christian Bürkert GmbH & Co. KG

1010/4\_EU-en\_00891810