



2/2-way ball valve with electric rotary actuator, ball valve in plastic, DN 10-50

- Suitable for aggressive media
- High flow rate valve
- Actuator with adjustable limit switches
- Visual position indicator
- Safe blocked union nuts with Dual Block® Technology¹

Type 8804 can be combined with...



Type 2672

Metal butterfly valve



Type 2675

Plastic butterfly valve



Type 8804

Stainless steel ball valve, 2 pieces



Type 8804

Stainless steel ball valve, 3 pieces

The electric ball valve Type 8804 consists of an electrical rotary actuator and a 2/2-way ball valve made of plastic. Different housings and materials are available for various applications. The rotary actuator is compactly built. It can be used also as single device for the operation of other control members (see datasheet Type 3003).

Special features

The ball valves are equipped with the so-called Dual Block® Technology. This System allows you to lock the union nuts in the preset position. It prevents them separating during operation.

Technical data	
Body material	PVC-U, PP, (PVDF, PVC-C on request)
Seal material	PTFE/EPDM, PTFE/FKM
Media	Gaseous and liquid media, which do not attack the housing and sealing materials
Media temperature PVC-U PP PVDF	(see diagram Pg. 3) 0 to +60°C +10 to +80°C 0 to +120°C
Ambient temperature	-10 to +55°C
Port connections PVC-U, PP, (PVDF on request)	True union
Operating pressure	0-10 bar; 0-16 bar
Connection between actuator and ball valve	Flange acc. to ISO 5211
Operating voltage	24 V AC/DC, 100-240 V AC/50-60 Hz (other voltages on request)
Voltage tolerance	DC: +/-20%; AC: +/-10%
Duty rating	At max. torque: 50% of the time
Electrical connection	2 cable glands ISO M20 (cable plug EN175301-803 on request)
Protection class	IP65
Rotation angle	90° (+/-5°)
Rotation time	see ordering chart
Limit switches	4 adjustable (2 for motor and 2 additional for feedback) max. 250 V AC/1.5 A
Material (Actuator) cover housing axis/screws gear unit	ABS PA Stainless steel Steel, PC
Installation	Don't mount the actuator upside down

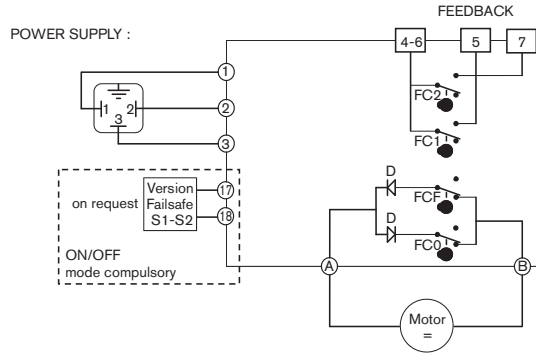
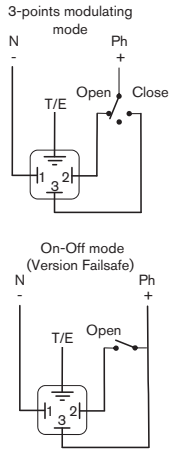
¹ Dual Block® Technology is a registered trademark of FIP - Formatura Iniezione Polimeri S.p.A

Electrical connection

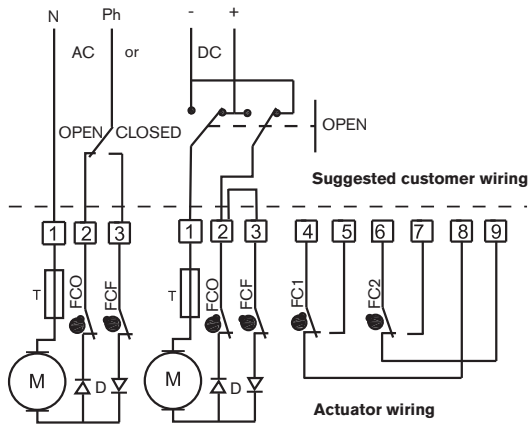
Switch drawings

100 - 240 V AC/50-60 Hz multivolt version

SUGGESTED CUSTOMER WIRING



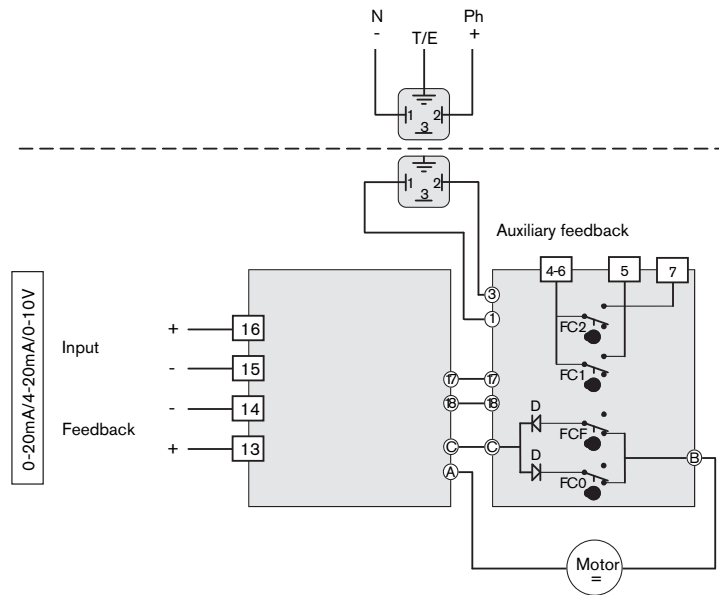
24 V AC/DC standard version



Electrical connection, continued

100 - 240 V AC and 24 V AC/DC

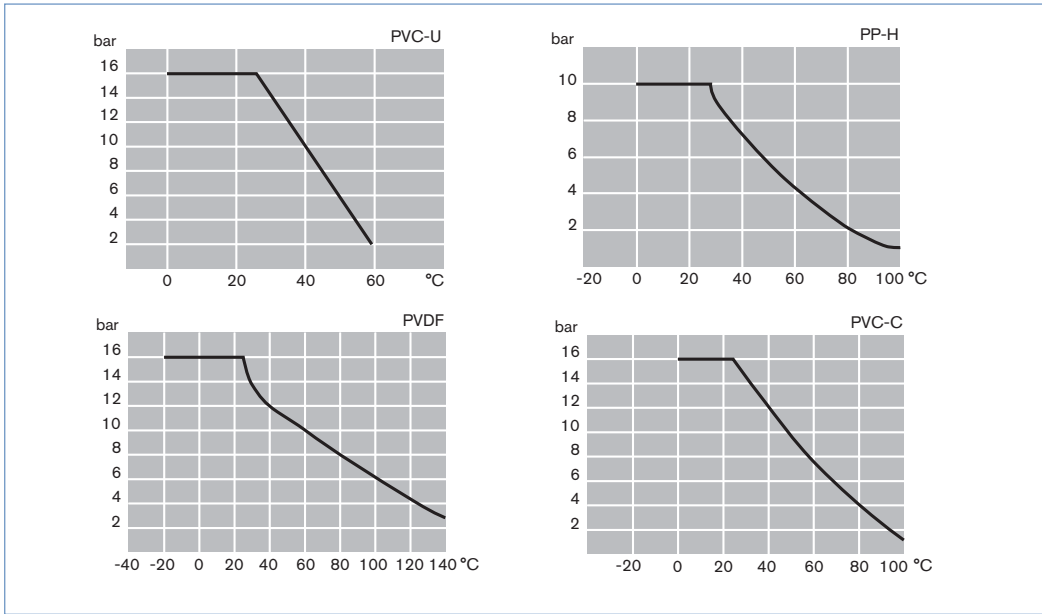
Version with analog input signal (on request)



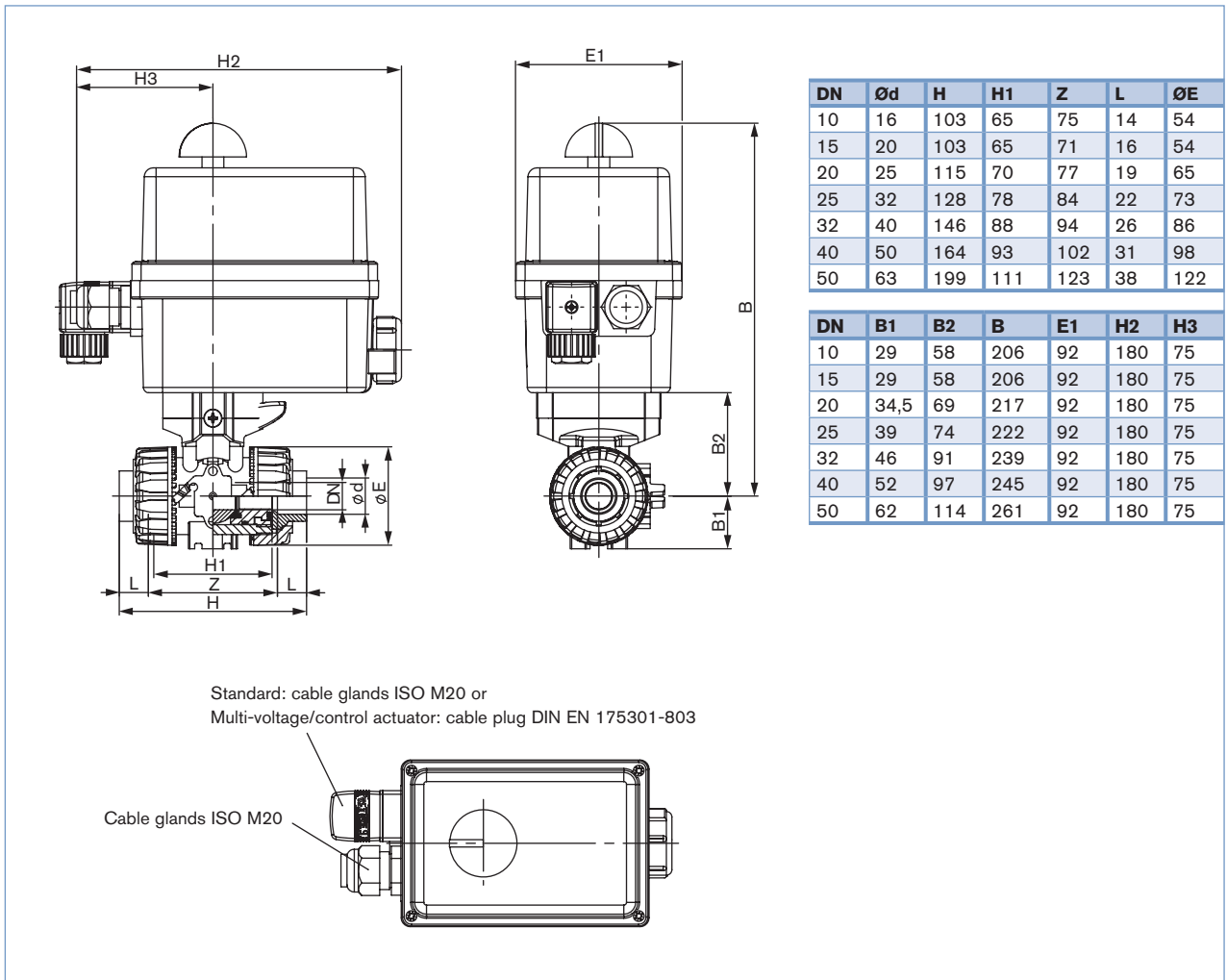
Symbol	Description
FC0	Open limit switch
FCF	Close limit switch
FC1	Auxiliary 1 limit switch
FC2	Auxiliary 1 limit switch
M	Motor
T	Thermal fuse

Symbol	Description
D	Diode
C	Capacitor
P	Potentiometer
H	Heating resistor
J7	Heating resistor connection
J8	Potentiometer connector

Pressure Temperature Chart



Dimensions [mm]



DTS 1000089995 EN Version: C Status: RL (released | freigegeben | validé) printed: 04.09.2009

Ordering chart (further versions on request)

Orifice (mm)	Port connection Ø (mm)	Kv-value water (m ³ /h)	Pressure range PVC-U, PVDF (bar)	Pressure range PP (bar)	Rotation time for 90° (s)	Voltage	Item no. True union PVC-U	Item no. True union PP
Seal material PTFE/EPDM								
10	16	4.8	0-16	0-10	10	100-240V AC/50-60 Hz	178 702	178 759
15	20	12	0-16	0-10	10		178 703	178 760
20	25	23	0-16	0-10	10		178 704	178 761
25	32	46	0-16	0-10	20		178 705	178 762
32	40	66	0-16	0-10	20		178 706	178 763
40	50	105	0-16	0-10	20		178 707	178 764
50	63	204	0-10	0-10	20		178 708	178 765
10	16	4.8	0-16	0-10	20		024 V/AC DC	178 709
15	20	12	0-16	0-10	20	178 710		178 767
20	25	23	0-16	0-10	20	178 711		178 768
25	32	46	0-16	0-10	20	178 712		178 769
32	40	66	0-16	0-10	20	178 713		178 770
40	50	105	0-16	0-10	20	178 714		178 771
50	63	204	0-10	0-10	20	178 715		178 772
Seal material PTFE/FKM								
10	16	4.8	0-16	0-10	10	100-240V AC/50-60 Hz	178 740	178 841
15	20	12	0-16	0-10	10		178 741	178 843
20	25	23	0-16	0-10	10		178 742	178 293
25	32	46	0-16	0-10	20		178 743	178 988
32	40	66	0-16	0-10	20		178 744	178 989
40	50	105	0-16	0-10	20		178 745	178 993
50	63	204	0-10	0-10	20		178 746	178 994
10	16	4.8	0-16	0-10	20		024 V/AC DC	178 747
15	20	12	0-16	0-10	20	178 748		178 996
20	25	23	0-16	0-10	20	178 749		179 113
25	32	46	0-16	0-10	20	178 751		179 114
32	40	66	0-16	0-10	20	179 291		179 115
40	50	105	0-16	0-10	20	178 753		179 116
50	63	204	0-10	0-10	20	178 754		179 117

 Further versions on request
**Materials**

Body: PVDF, PVC-C, ABS

**Voltage**

Non-standard voltages

**Electrical connection**

Cable plug acc. to EN 175301-803

**Additional**

Positioner card with normal input signal 4-20 mA or 0-10 V
 Feedback through Potentiometer or 4-20 mA analog signal
 Slow rotation version
 3-position actuator (90° or 180°)
 Heating resistor 10 W
 Fail safe version

Accessories

Description	Item no.
Key for adjustment of limit switches	665 296

Spacer plate and thread insert for mounting on control panel or wall on request.

Ball valve and butterfly valve - Request for quotation

Note
You can fill out the fields directly in the PDF file before printing out the form.

▶ Please fill out and send to your nearest Bürkert facility* with your inquiry or order

Company	Contact person
Customer No	Department
Address	Tel./Fax
Postcode/Town	E-mail

Quantity Required delivery date

Operating data

Pipeline DN PN

Pipe material

Process medium

Type of media Liquid Steam Gas

	Min	Standard	Max	Unit
Flow rate (Q, Q _N , W) ¹⁾	<input type="text"/>	<input type="text"/>	<input type="text"/>	<input type="text"/>
Media temperature	<input type="text"/>	<input type="text"/>	<input type="text"/>	<input type="text"/>
Operating pressure	<input type="text"/>	<input type="text"/>	<input type="text"/>	<input type="text"/>

¹⁾ Standard unit
Liquid Q = m³/h; Steam W = Kg/h; Gas Q_N = Nm³/h

Valve features

Type Ball valve Butterfly valve

Body material Stainless steel PVC-C PVC-U PP PVDF other

Seal material PTFE/EPDM²⁾ PTFE/FKM²⁾ EPDM FKM other

Nominal pressure PN

Orifice DN

Type of connection Flange True union Welded Int. thread Ext. thread Clamp

Standard connection ISO DIN ANSI JIS other

Pilot pressure min. max.

²⁾ Only ball valve

Mode of actuation

Manual

Pneumatic

Control function A: NC by spring action

Double-acting

Electric actuator

Function On/Off function Control actuator with analog signal input

Power supply 230 V AC 24 V AC 24 V DC other

* To find your nearest Bürkert facility, click on the orange box → www.burkert.com

DTS 1000089995 EN Version: C Status: RL (released | freigegeben | validé) printed: 04.09.2009