

Electric Rotary Actuator - On/Off or programmable control actuator



Type 3005 can be combined with...



Type 2651

2-piece St. St.
ball valve



Type 2654

3-piece St. St.
ball valve



Type 2657

Plastic
ball valve



Type 2672

Metal
butterfly valve



Type 2675

Plastic
butterfly valve

- Direct mounting on quarter-turn valves
- Manual override standard
- Corrosion resistant
- Adjustable limit switches
- Multi-voltage version
- Protection class IP67

The rotary actuator type 3005 is a compact and powerful actuator system which provides a long service life.

Materials and components have been chosen for maintenance-free operation and ensure low thermal loading on the actuator. The modular design offers many options such as extra limit switches or potentiometers to be added to the basic unit.

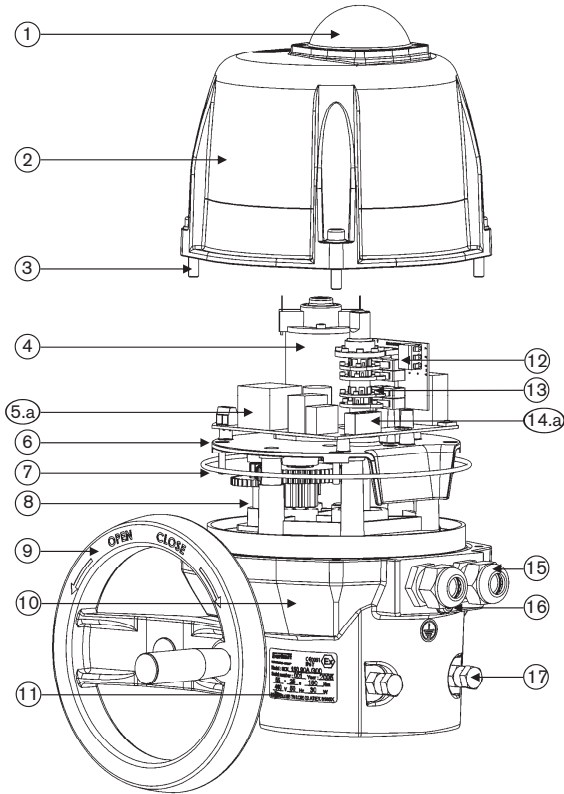
Technical data

Torque	150 and 300 Nm (see ordering chart) (600 and 1000 Nm on request)
Angle of rotation	90° (+/- 5°)
90° rotation time	30 up to 50 s (see ordering chart)
Duty rating	At max. torque: 50% of the time Control actuator: 50% of max. torque
Power supply	24 V AC/DC or Multi-voltage 100-240 V AC / 50-60 Hz Tolerance +/- 10%
Power consumption	45 to 85 W (see ordering chart)
Motor protection	Electronic torque limitation
Electrical connection	2 cable glands ISO 20 (Cable plug acc. EN 175301-803 on request)
Mounting	acc. ISO 5211 - F07/F10
Drive	Female star 22 mm; conversion sleeve star 22/17 mm enclosed
Installation	Do not mount the actuator upside down!

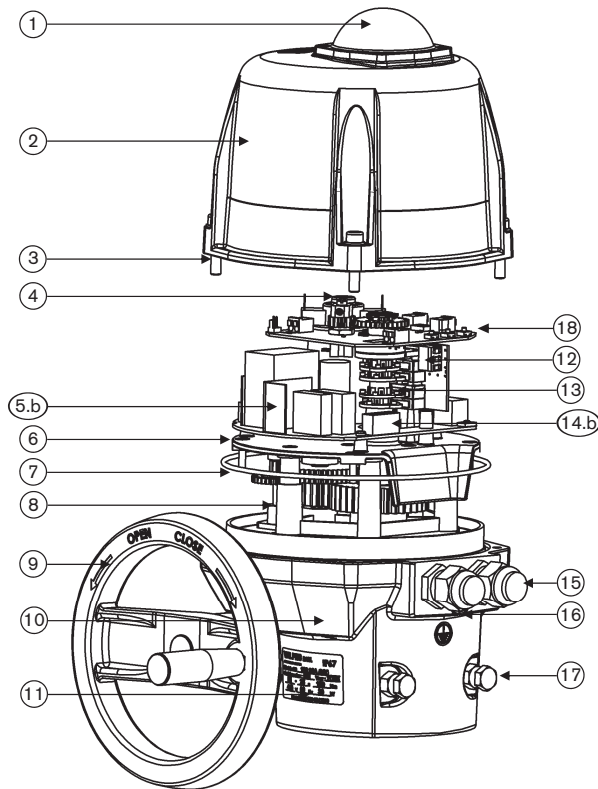
Technical data	
Limit switches	4 adjustable (2 for motor and 2 additional for feedback) max. 250 V AC/5 A
Analogue signals control version (programmable)	
Input	- 0-10 V - 4-20 mA
Output	- 0-20 mA - 0-10 V - 4-20 mA - 0-20 mA
Manual override	By hand wheel
Mechanical limit stops	Standard
Optical position indicator	Standard
Material	
Cover, Housing	Nylon / Epoxy coated aluminium
Axis, screw	Stainless steel
Gear	Zinc-plated Steel
Type of class	IP67
Ambient temperature	-20°C up to + 55°C
Weight	5.6 kg
Heating resistor	4 W (additional 10 W on request)
Options	Three position actuator (180°) Rotation 180° or 270° Feedback On/Off actuators: - Potentiometer 0.1K, 1K, 5K or 10K - Analogue signal 4-20 mA Fail safe option 2 extra limit switches

Exploded view

Motor 150 - 300 Nm



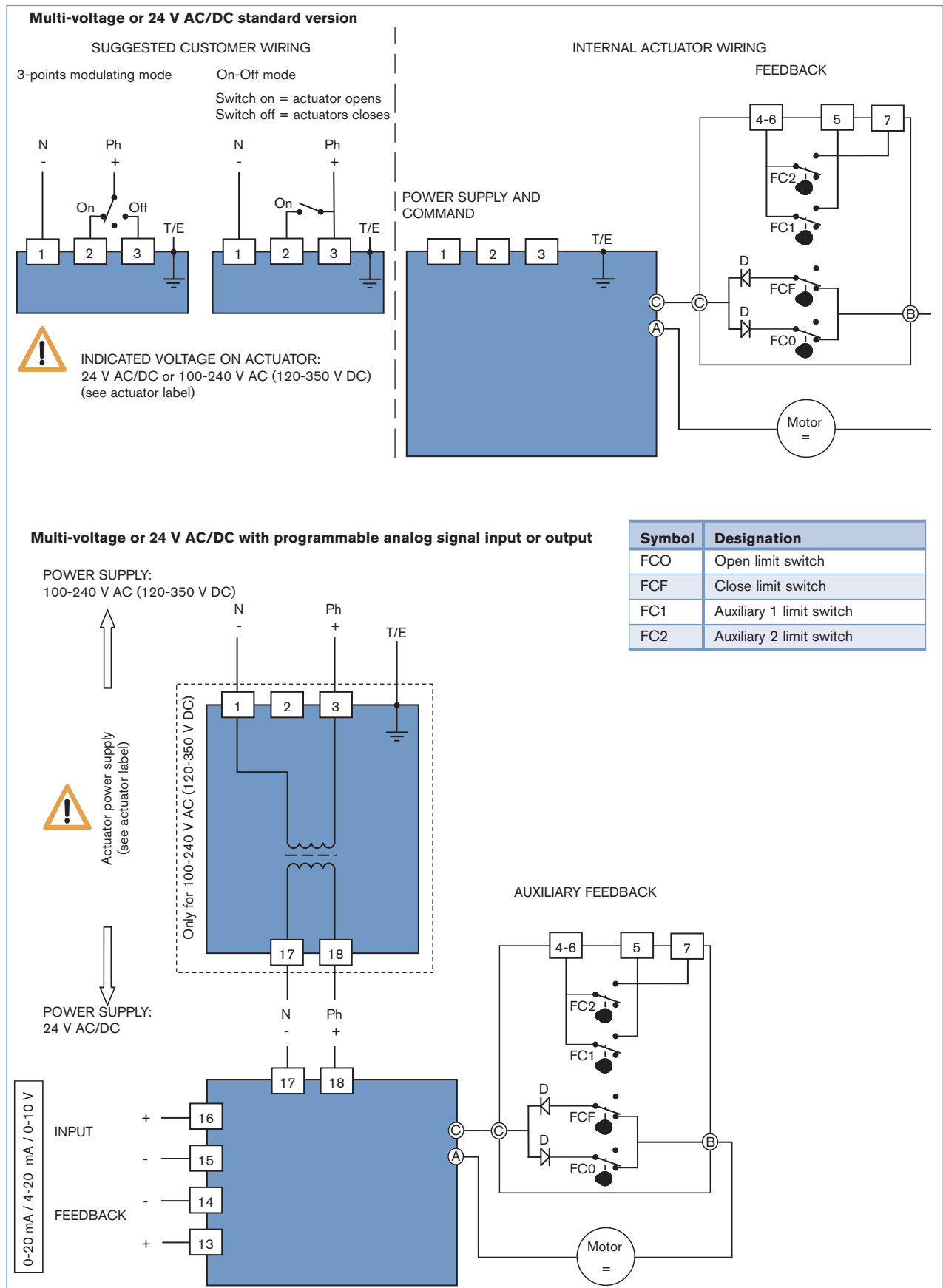
Motor 150 - 300 Nm with positioning card



No.	Designation
1	Optical position indicator
2	Cover
3	Stainless steel screws
4	Motor
5.a*	Pilot and power supply card
5.b*	power supply card
6	Gear box
7	O-ring
8	Gear
9	Hand wheel
10	Housing
11	Identification label
12	Auxiliary limit switch terminal
13	Cams
14.a*	Pilot and power supply card
14.b*	Power supply terminal
15	Cable gland ISO M20
16	Earth screw
17	Mechanical limit stops
18	Positioning card (only for actuator with position control)

* Only for multi-voltage version

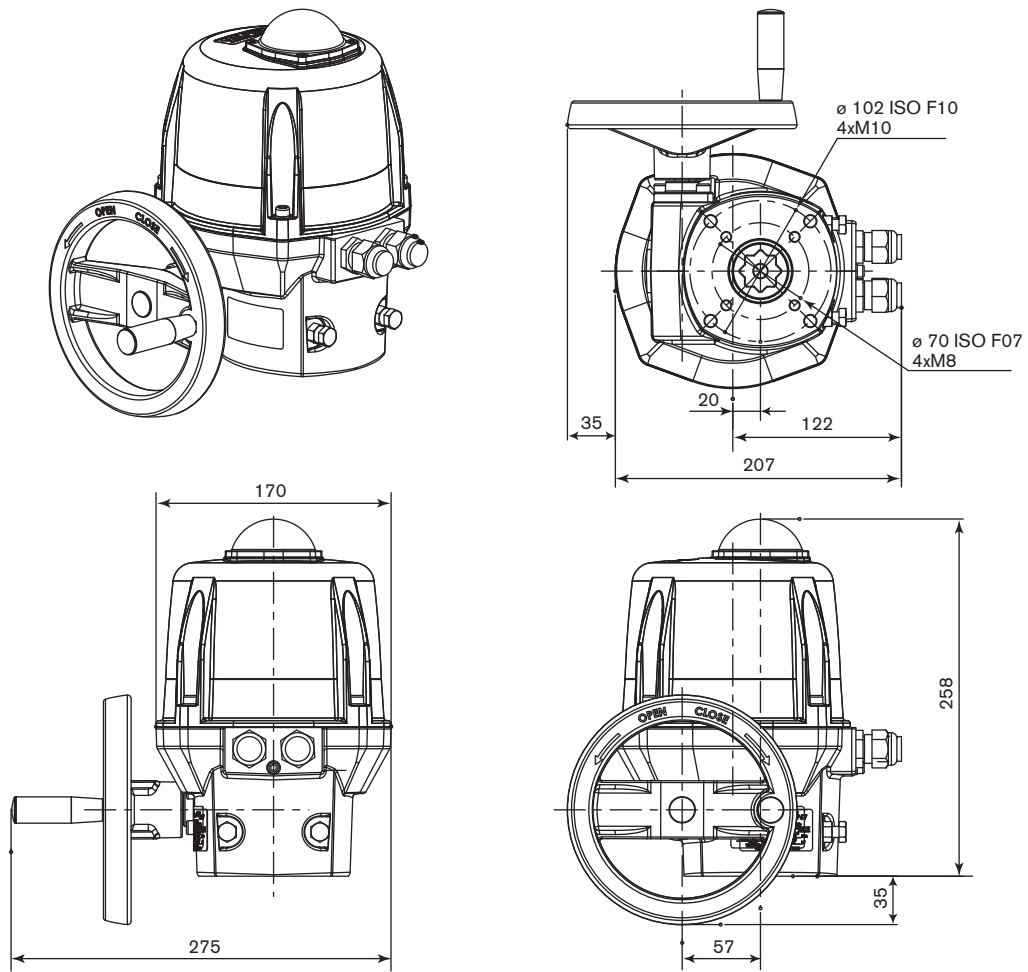
Electrical connections



DTS 1000097019 EN Version: G Status: RL (released | freigegeben | validé) printed: 01.03.2011

Dimensions [mm]

Motor 150 - 300 Nm



Ordering chart (other versions on request)

Standard version without analogue signal input

Remark : For the actuator choice, we recommend a safety torque equal to 1.5 times of the valve maximal torque (2 times for the control version).

Drive stars [mm]	Conversion sleeve star [mm]	Connection flange	Torque [Nm]	90° travel [s]	Power consumption [W]	Voltage / Frequency [V / Hz]	Item no.
22	22/17	F07-F10	150	30	45	100-240 / 50-60	181 303
						24 AC / DC	181 304
			300	50	85	100-240 / 50-60	181 305
						24 AC / DC	181 306

Control version with 4-20 mA, 0-20 mA or 0-10 V, analogue signal input or output

Remark : For the actuator choice, we recommend a safety torque equal to 1.5 times of the valve maximal torque (2 times for the control version).

Drive stars [mm]	Conversion sleeve star [mm]	Connection flange	Torque [Nm]	90° travel [s]	Power consumption [W]	Voltage / Frequency [V / Hz]	Item no.
22	22/17	F07-F10	150	30	45	100-240 / 50-60	181 293
						24 AC / DC	179 725
			300	50	85	100-240 / 50-60	181 307
						24 AC / DC	179 726

i Further versions on request

⚡ Voltage
other voltages

> Additional
Torque 600, 1000 Nm

Ordering chart accessories

Description	Item no.
Key to adjust limit switches	665 296
Conversion sleeve star/square 14/9 mm	665 288
Conversion sleeve star/square 14/11 mm	665 289
Conversion sleeve star/star 22/14 mm	666 684
Conversion sleeve star/star 22/17 mm	666 685
Conversion sleeve square/square 17/14 mm	665 290
Adapter external square 14/10 mm (for actuators with torque from 25 to 75 Nm)	668 234
Adapter external square 14/10 mm (for actuators with torque from 100 Nm)	677 877

To find your nearest Bürkert facility, click on the orange box →

www.burkert.com