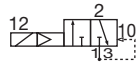


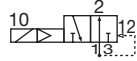
# 3/2 Way Solenoid Valve Servo-Assisted



5411



Circuit Function C



Circuit Function D

G 1/4, Polyamide Body

- ✓ Suitable for Manifold Mounting
- ✓ High Flow Rates
- ✓ Manual Override as Standard

Pneumatic Actuation Valve

Type 5411 is a servo-assisted 3/2 way valve with a poppet design and normally open or normally closed outlet ports. The poppet chamber is either pressurized or exhausted via a 3/2 way pilot valve. A minimum pressure differential of 1 bar is required to provide reliable switching. The valves can be mounted on single channel manifolds (up to six valves) for convenience.

### Process Specification

<b>Materials</b>	
Body	Polyamide (reinforced) with moulded-in metal threads
Valve internals	Stainless Steel / Plastic
Sealing	NBR
Fluids	Neutral media, e.g. lubricated or unlubricated compressed air
<b>Temperatures</b>	
Fluid	-10 up to +60°C
Ambient	Max. +55°C
<b>Operating voltages</b>	
	24 V/DC
	24 / 110 / 230 V/50-60 Hz
<b>Voltage tolerance</b>	
	±10%
<b>Duty cycle</b>	
	100% continuously rated
<b>Electrical connection</b>	
	Tag connectors according to DIN 43650 A for cable plugs type 2508 (see accessories)
<b>Rating</b>	
	IP 65 (with cable plug)
<b>Installation</b>	
	As required (preferably solenoid system upright)

**Flow rate: QNn-value air [l/min]**  
Measured at +20°C, 6 bar pressure at valve inlet, 1 bar pressure difference.

**Pressure ranges (bar)**  
Measured as overpressure to the atmospheric pressure

\*) Applied supply pressure must be 1 bar above the pilot pressure of the valve actuator.

Orifice DN	QNn value air <sup>1)</sup> [l/min]	Port conn. [inch]	Electrical power consumption			Response times		Press. range [bar]	Weight [kg]
			AC inrush [VA]	AC hold [VA]	DC [W]	opening [ms]	closing [ms]		
6.0	900	G 1/4	11	6	2	50	30	1 - 10	0.3

**Application: Actuation of large, externally piloted valves**



# 3/2 Way Solenoid Valve Servo-Assisted

## Specifications - Ordering Chart (Other Versions on Request) for Type 5411

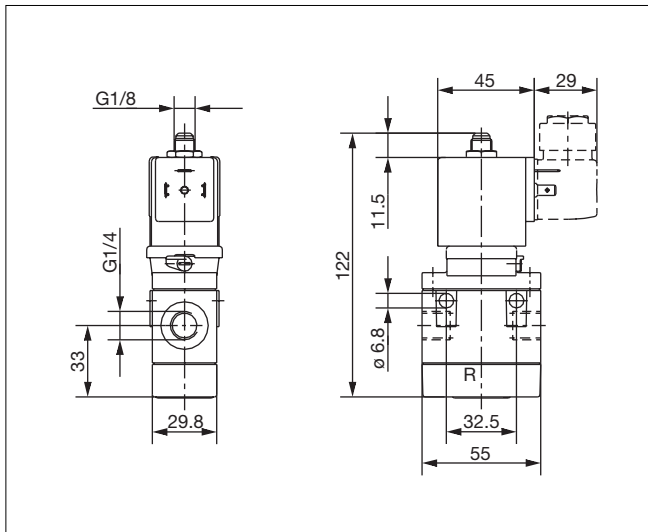
(with standard-cable plug 0-250 V AC/DC)

Circuit function	Orifice DN [mm]	Port connection [inch]	Qn-value air <sup>1)</sup> [l/min]	Pressure range [bar]	Voltage / Frequency [V/Hz]	Item-No.
C	6	G 1/4	900	1 - 10	024/DC 024/50-60 110/50-60 230/50-60	134 607 Z 134 608 A 134 609 B 134 610 X
D	6	G 1/4	900	1 - 10	024/DC 024/50-60 110/50-60 230/50-60	134 611 L 134 612 M 134 613 N 134 614 P

## Specifications - Ordering Chart for Light Alloy Manifolds

No. of valves	Hole spacing [mm]	Total length [mm]	Item-No.
2	77	93	005 811 Q
3	110	126	005 717 Z
4	143	159	005 843 Y
5	176	192	005 776 C
6	209	225	005 718 A

## Dimensions [mm]

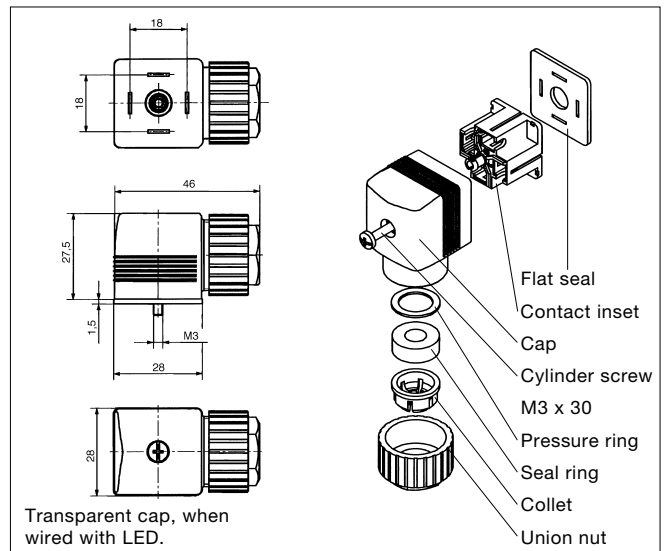


## Ordering Chart for Accessories

Device/ Accessory	Features	Item-No.
Cable plugs <sup>1)</sup> Type 2508	Standard cable plug, 0-250 V AC/DC (standard-delivery) <sup>1)</sup>	008 376 N
	with LED, 12-24 V AC/DC	008 360 S
	with LED, 100-120 V AC/DC	008 361 P
	with LED + varistor, 12-24 V AC/DC	008 367 M
	with LED + varistor, 100-120 V AC/DC	008 368 W
	with LED + varistor, 200-240 V AC/DC	008 369 X
	(optional wirings and connection specifications see data sheet Type 2508)	

<sup>1)</sup> The standard cable plug (0-250 V AC/DC), Order-No. 008 376 N is part of the standard delivery. Ordering of optional cable plugs with separate item number.

A wide selection of further cable plugs is available (see data sheet type 2508)



In case of special application requirements, please consult for advice.

We reserve the right to make technical changes without notice. 102-GB/ 1-0227