



2/2-way servo assisted Solenoid Valve for liquids

- Forced coupled diaphragm system
- Compact body from brass or stainless steel
- High flow rate (K_V value)
- Anti-waterhammer, low noise
- Diaphragm materials NBR, EPDM, FKM

Type 6213 can be combined with...



Type 2508

Cable plug

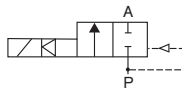


Type 1078

Timer unit

The Type 6213 is a 2/2-way normally closed solenoid valve with a forced coupled diaphragm system. It switches from 0 bar and can be used universally for fluids. For complete opening, a differential pressure of at least 0.1 bar is necessary.

Circuit function A



Servo-assisted 2/2-way valve; normally closed, with 2-way pilot control

Technical data	
Orifice	DN 10 - 40 mm
Body material	Brass acc. to DIN EN 50930-6, stainless steel 1.4404
Coil material	Epoxy, Polyamide
Coil insulation class	H (Epoxy), B (Polyamide)
Inner part of valve	Brass body Stainless steel body
Seal material	NBR, FKM, EPDM
Media	NBR FKM EPDM
Ambient temperature	Max. +55 °C
Media temperature	NBR -10 to +80 °C FKM 0 to +90 °C with polyamide coil / 0 - 120 °C with Epoxy coil EPDM -30 to +120 °C
Voltages	024/DC, 024/50, 230/50, 024/UC (others on request)
Voltage tolerance	±10%
Duty cycle	100% continuous rating
Electrical connection	Tag connector acc. to DIN EN 175301-803 Form A (previously DIN 43650) for cable plug Type 2508 (see Ordering chart for accessory)
Protection class	IP 65 with cable plug
Installation	As required, preferably with actuator upright
Approval	DIN EN 60730
Response times¹⁾	0.1 - 4 seconds (depending on orifice and differential pressure)

¹⁾ Measured at valve outlet at 6 bar and +20°C

Opening: pressure build-up 0 to 90%

Closing: pressure decay 100 to 10%

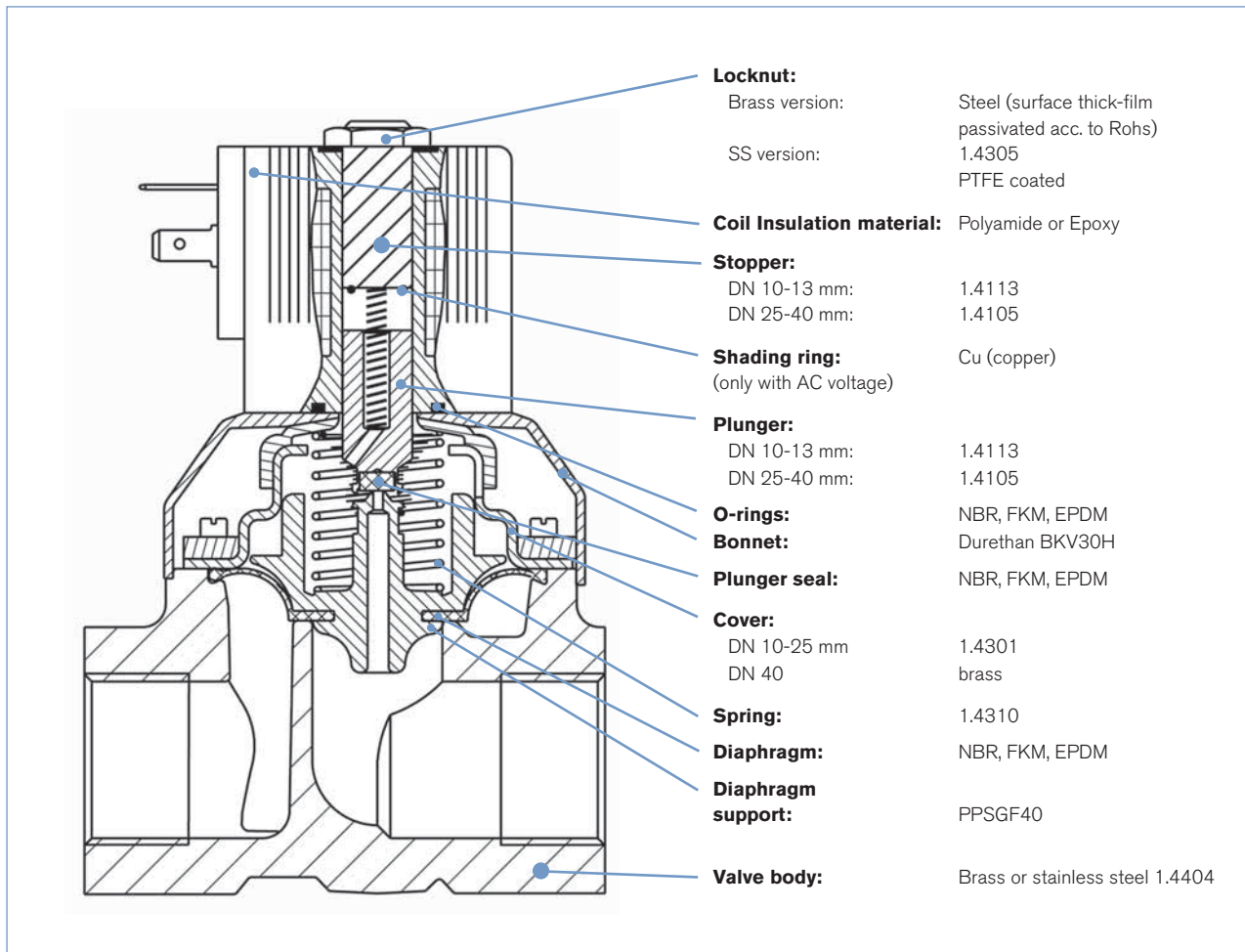
Technical data

Power consumption

Orifice DN	Coil size		Power consumption ¹⁾			Coil insulation class		Weight	
	AC	DC	Inrush AC [VA]	Hold (hot coil) AC [VA/W]	DC [W] (hot coil)	Seal EPDM	Seal NBR and FKM	brass [kg]	stainless steel [kg]
10	32	40	34	14/8	10 (11)	H	B	0.4	0.4
13	32	40	36	14/8	10 (11)	H	B	0.45	0.55
20	32	40	38	14/8	10 (11)	H	B	1.0	1.1
25	42	42	150	37/16	72/4	H	H	1.7	-
40	42	42	190	37/16	72/4	H	H	3.5	-

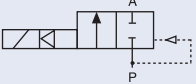
¹⁾ Values in brackets at coil temperature 20 °C

Materials

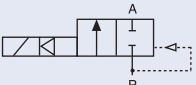


Ordering chart for valves (other versions on request)

Valves with brass or stainless steel body, without cable plug
DN 10-20

Circuit function	Port connection	Orifice [mm]	Kv value water [m ³ /h] ¹⁾	Pressure range [bar] ²⁾	Item no. per voltage/frequency [V/Hz]		
					024/DC	024/50	230/50
A 2/2-way valve NC 	Brass body, NBR diaphragm (Polyamide coil)						
	G 1/4	10	1.9	0 - 10	139 100	139 101	139 103
	G 3/8	10	1.9	0 - 10	125 653	125 654	125 656
	G 1/2	13	3.6	0 - 10	125 657	125 658	125 660
	G 3/4	20	8.3	0 - 10	126 284	126 285	126 287
	Brass body, FKM diaphragm (Polyamide coil)						
	G 1/4	10	1.9	0 - 10	139 104	139 105	139 107
	G 3/8	10	1.9	0 - 10	126 264	126 265	126 267
	G 1/2	13	3.6	0 - 10	126 276	126 277	126 279
	G 3/4	20	8.3	0 - 10	126 292	126 293	126 295
	Brass body, EPDM diaphragm (Epoxy coil)						
	G 1/4	10	1.9	0 - 10	139 096	139 097	139 099
	G 3/8	10	1.9	0 - 10	135 217	135 218	135 220
	G 1/2	13	3.6	0 - 10	135 226	135 227	135 229
	G 3/4	20	8.3	0 - 10	135 234	135 235	135 237
	Stainless steel body, FKM diaphragm (Polyamide coil)						
	G 1/4	10	1.9	0 - 10	141 187	141 188	141 190
	G 3/8	10	1.9	0 - 10	141 191	141 192	141 194
	G 1/2	13	3.6	0 - 10	141 215	141 216	141 218
	G 3/4	20	8.3	0 - 10	141 239	141 240	141 242
G 1	20	8.3	0 - 10	141 243	141 244	141 246	


DN 25-40

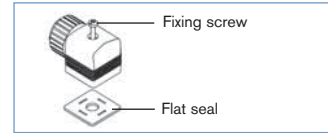
Circuit function	Port connection	Orifice [mm]	Kv value water [m ³ /h] ¹⁾	Pressure range [bar] ²⁾	Item no. per voltage/frequency [V/Hz]		
					024/UC *	024/50	230/50
A 2/2-way valve NC 	Brass body, NBR diaphragm (Epoxy coil)						
	G 1	25	11.0	0 - 10	178 921	178 920	178 923
	G 1 1/4	25	11.0	0 - 10	178 925	178 924	178 927
	G 1 1/2	40	30.0	0 - 10	178 947	178 946	178 950
	G 2	40	30.0	0 - 10	178 953	178 951	178 956
	Brass body, FKM diaphragm (Epoxy coil)						
	G 1	25	11.0	0 - 10	178 929	178 928	178 931
	G 1 1/4	25	11.0	0 - 10	178 933	178 932	178 935
	G 1 1/2	40	30.0	0 - 10	178 959	178 957	178 963
	G 2	40	30.0	0 - 10	178 967	178 965	178 970
	Brass body, EPDM diaphragm (Epoxy coil)						
	G 1	25	11.0	0 - 10	178 913	178 912	178 915
	G 1 1/4	25	11.0	0 - 10	178 917	178 916	178 919
	G 1 1/2	40	30.0	0 - 10	178 937	178 936	178 939
	G 2	40	30.0	0 - 10	178 941	178 940	178 945

¹⁾ Measured at +20°C, 1 bar ²⁾ pressure at valve inlet and free outlet²⁾ Pressure data [bar]: Overpressure with respect to atmospheric pressure.**Please note** that the cable plug has to be ordered separately, see Ordering chart for accessory and separate datasheet, Type 2508*** For DN 25 and DN 40 with 24 V/UC, a cable plug with an integrated high-power electronics is provided as part of the delivery.****i** Further versions on request**Port connection**
DN 10 G 1/2, 13 G 3/4, 20 G 1, NPT, Rc**Voltage**
Non-standard voltages**Seal Material**
EPDM with KTW/FDA approval**Temperature**
FKM version up to +120°C with Epoxy coil**Approvals**
UL, UR, CSA

Ordering chart for accessory

Cable plug Type 2508 according to DIN EN 175301-803 Form A

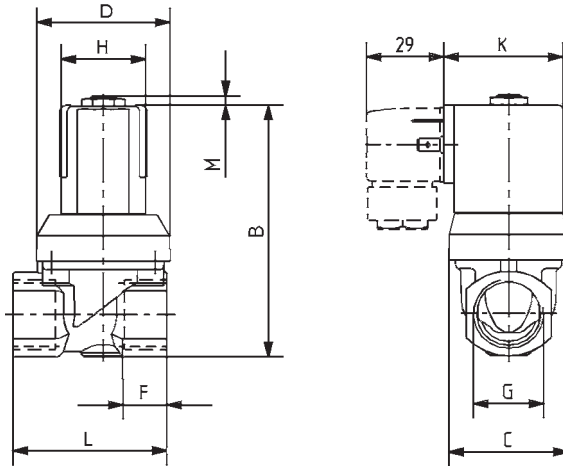
	Circuitry	Voltage / frequency	Item no.
	None (standard)	0 - 250 V AC/DC	008 376
further versions see datasheet Type 2508			



The delivery of a cable plug includes the flat seal and the fixing screw. For other cable plug versions acc. to DIN EN 175301-803 Form A (previously DIN 43650), see separate datasheet Type 2508.

Dimensions [mm]

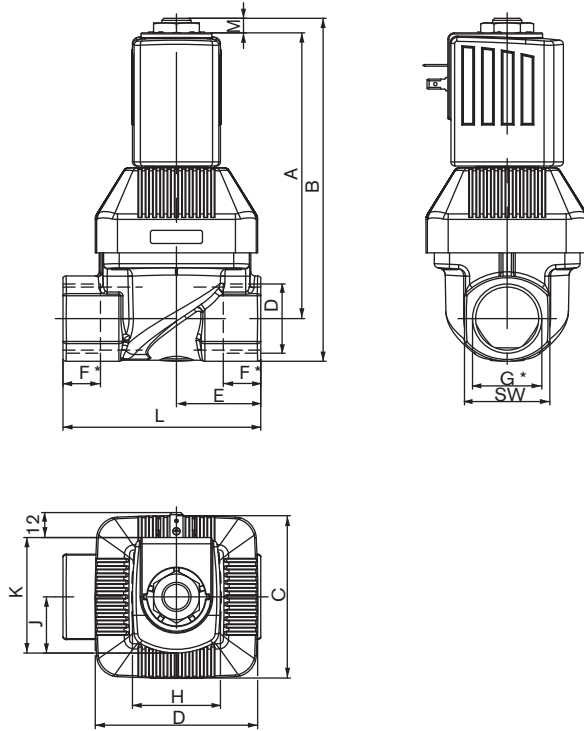
DN 10 - 20



G Thread			AC coil			DC coil			DC and AC coil		
DN	G	F	B	H	K	B	H	K	C	L (Brass/St.st.)	M
10	G 1/4	12	82.0	32	45	82.5	40	51	37.5	50/55	3.5
	G 3/8	12									
	G 1/2	14									
13	G 1/2	14	95.5	32	45	96.0	40	51	45.0	58/65	3.5
	G 3/4	16									
20	G 3/4	16	115.5	32	45	116.0	40	51	66.0	80/100	3.5
	G 1	18									

Dimensions [mm]

DN 25 - 40



DN	A	B	C	D	E	* G		* NPT		* Rc		H	J	K	L	SW	M
						F1	G1	F2	G2	F3	G3						
25	137.5	165	78	78	40.5	18	G 1	16.8	NPT 1	16.8	Rc 1	43	27	55.5	95	41	7
		20				G1 1/4	17.3	NPT 1 1/4	19.1	Rc 1 1/4	95				50		
40	149	186	104.5	104.5	69	22	G1 1/2	17.3	NPT 1 1/2	19.1	Rc1 1/2	43	27	55.5	132	60	7
		24				G2	17.6	NPT 2	23.4	Rc 2	132				70		

DTS 1000011053 EN Version: E Status: RL (released | freigegeben | validé) printed: 31.10.2008

To find your nearest Bürkert facility, click on the orange box → www.burkert.com

In case of special application conditions, please consult for advice.

Subject to alterations
© Christian Bürkert GmbH & Co. KG

0810/4_EU-en_00891750